

Specification Sheet

813.150.110 STRAIGHT PIPE WITH ONE SOCKET & ACCESS

- Diameter: Ø110MM
- Impact resistant 2mm wall thickness
- Stainless steel: AISI304/EN1.4301

Product Codes

EAN: 5705499413540
VVS Number: 160249110
RSK Number:
NRF Number: 2170936
LVI Number: 0246027

Specification

Angle (°): 180
Length (mm): 1500
Material: AISI 304
Material (EN): EN 1.4301
Outlet Diameter (mm): 110
Type: Access Pipes
Weight (kg): 8,41

Approvals



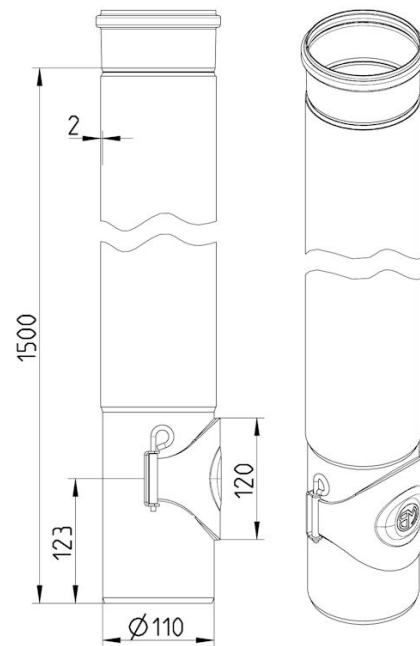
NO - 0692-16



DE - LGA Certificate 57214035 a

RU - 0212322 Pipes-18

PL - Hygienic Certificate - All products



BLÜCHER®

A WATTS Brand